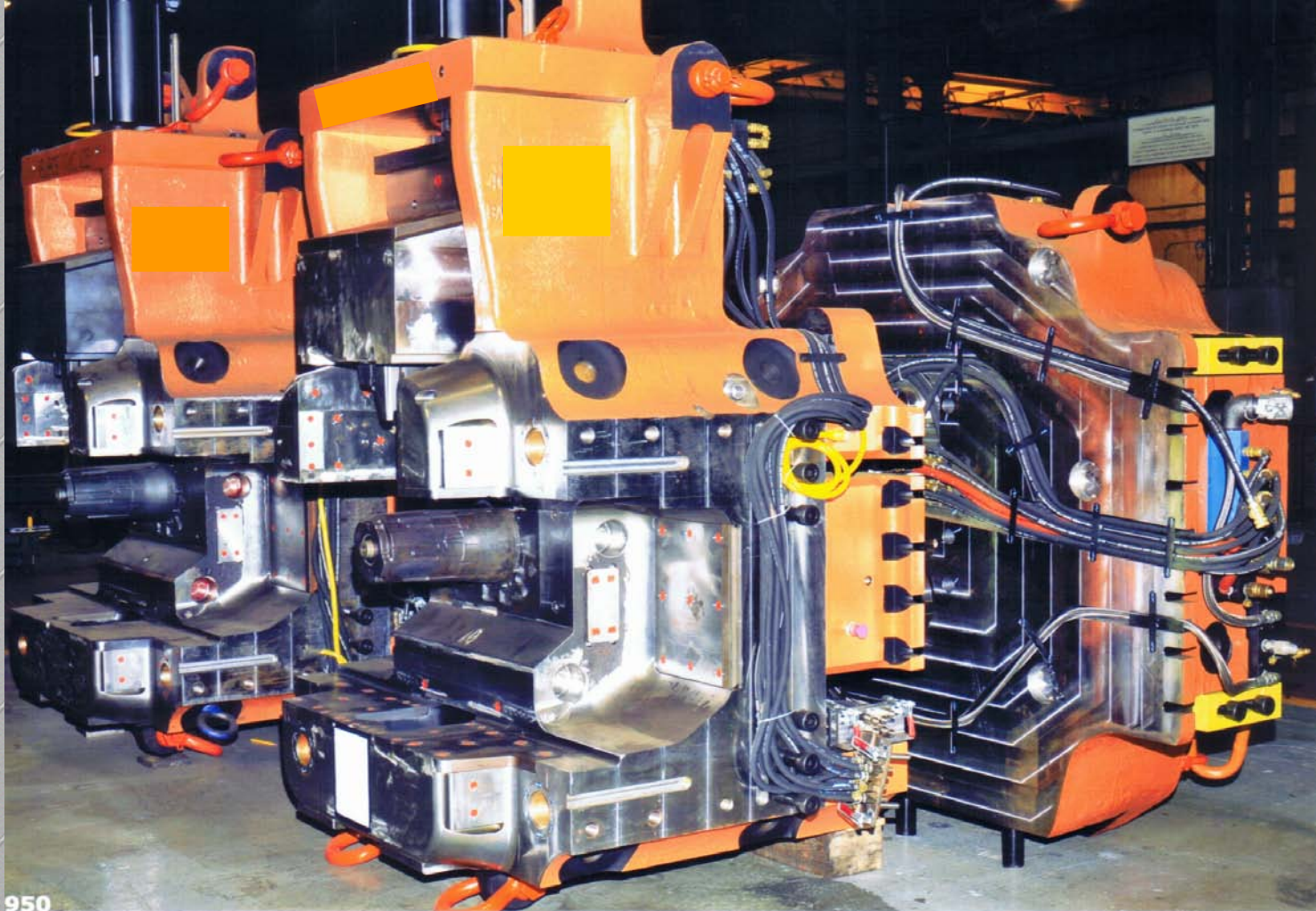


Die Cast Dies and Tooling

Complete die manufacturing, assembly, spotting, and delivery.

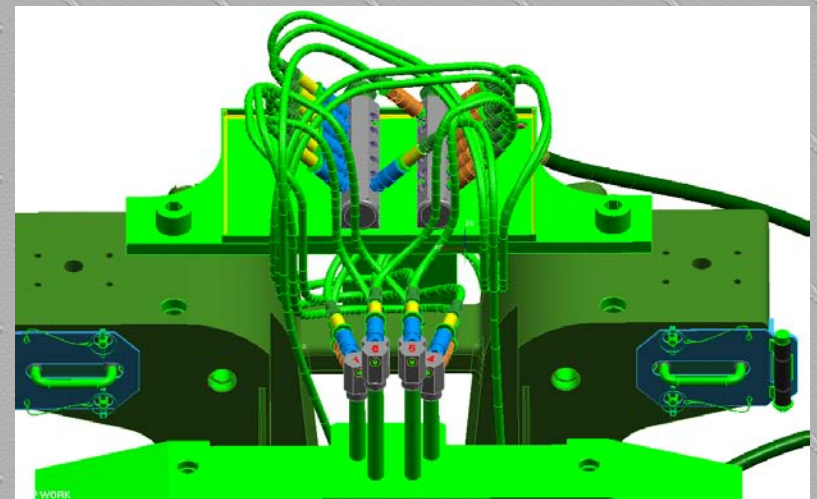
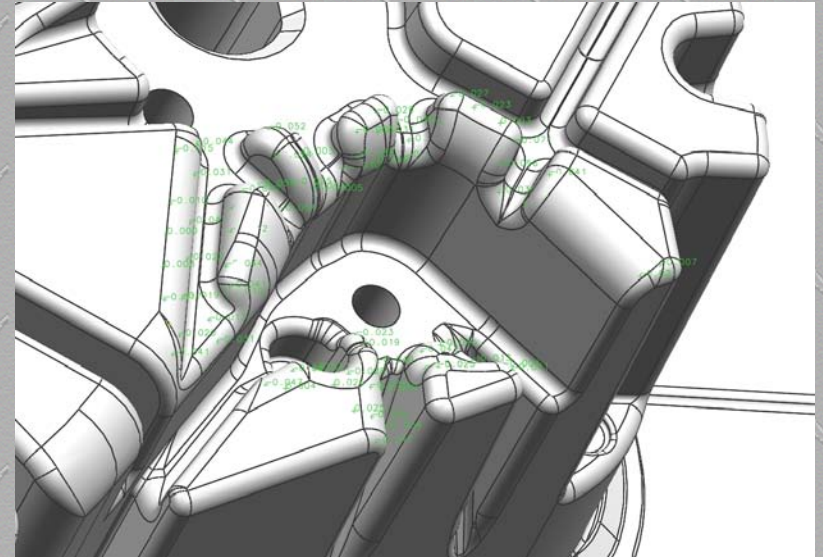


Engineering Support

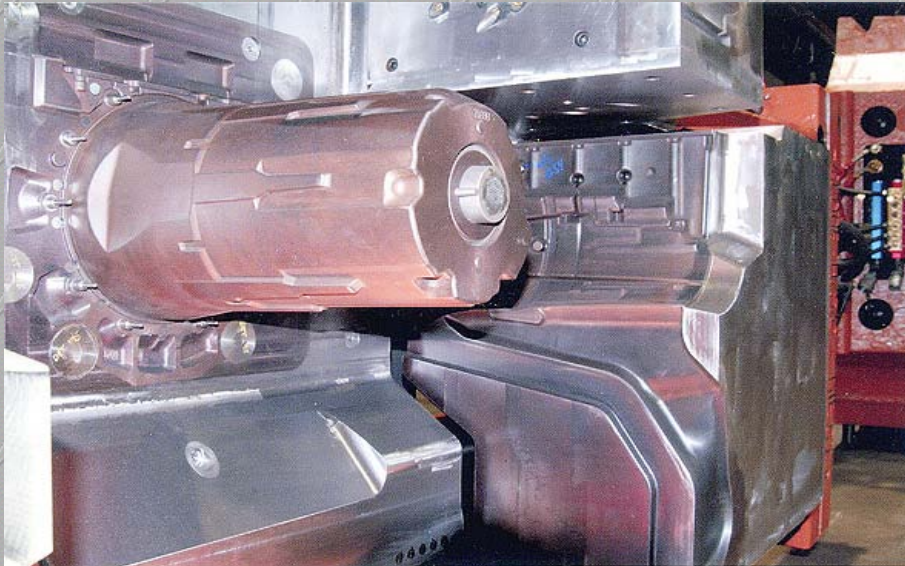
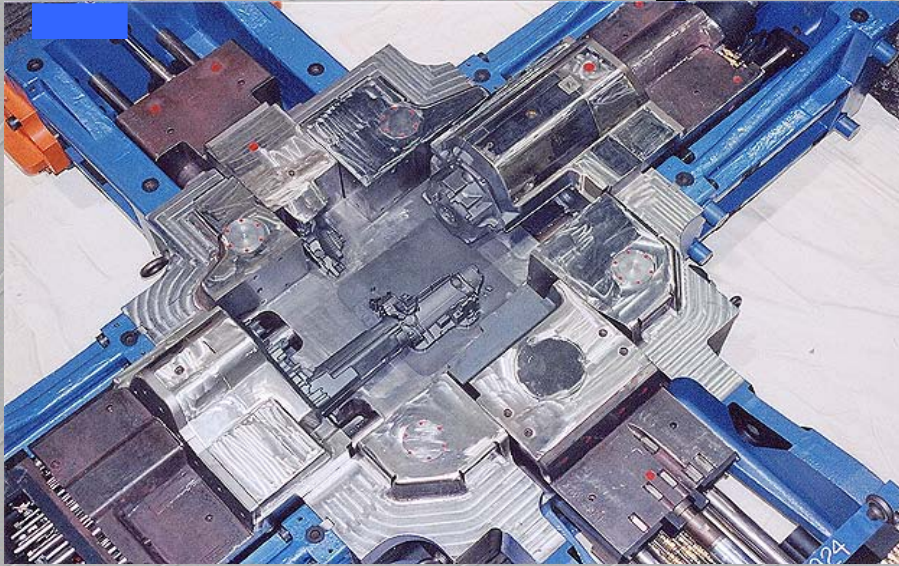
Unigraphics

AutoCAD

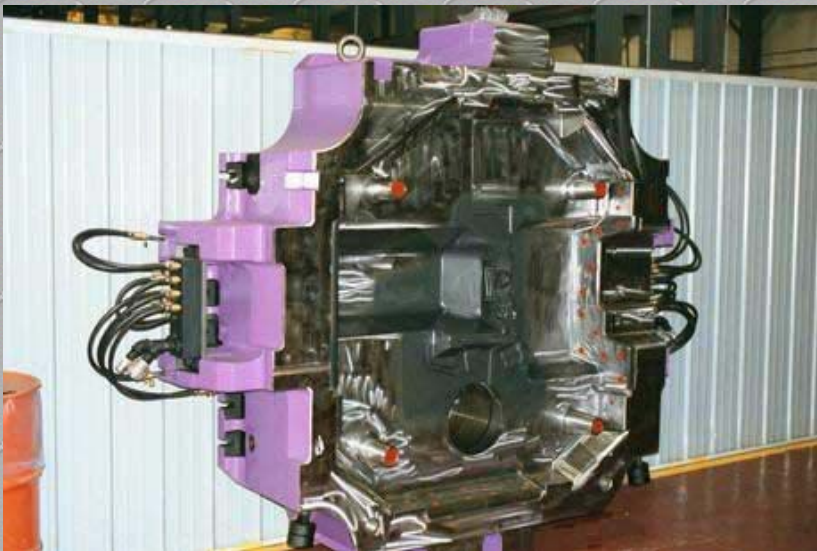
Sitius 3D CMM Verification



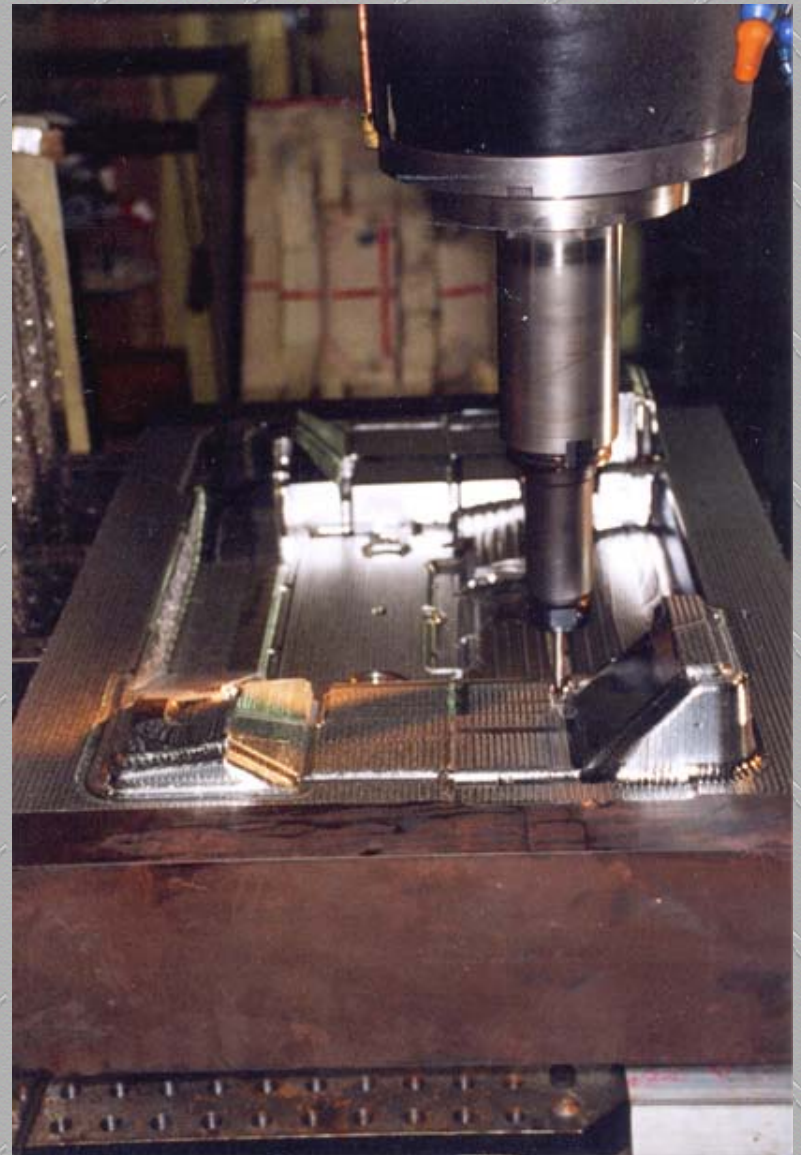
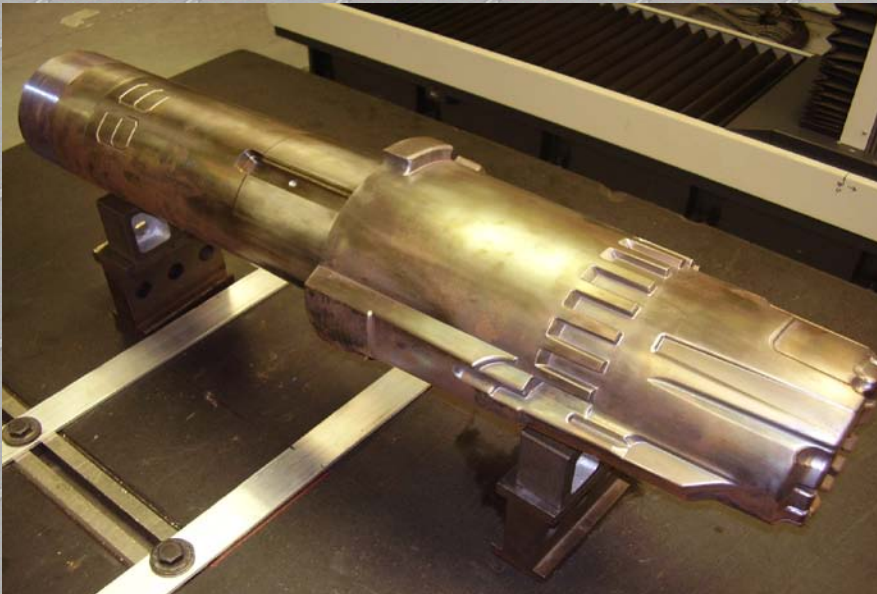
Die Assembly



Die Repairs and Refurbishment



Cavity Insert Components



Replacement Components

